

# ETS TH TWIN SPOT



## Lamp Options

- 2 x 20 watt luminaire to provide 2 x 300 lumens for 3 hour duration.
- Lamp colour - 5000K.
- LED indication of correct charger function.
- LED indication of lamp filament function.

## Materials

- Body - powder coated sheet steel.
- LED projectors - flame retardant ABS plastic.
- Batteries (self-contained) - 2 x SLA 12V 7.0Ah.

## Installation notes

- Suitable for high level wall mounting.
- 20mm cable entry on side of unit.
- 20mm cable entry on rear of unit.
- Dimensions 305mm L x 70mm D x 306mm H.
- Supplied complete with TH lamp source.

## Colours



white

The ETS twin spot (ETS) range of luminaires have been specifically designed to provide a cost effective and low maintenance emergency lighting solution in high bay industrial areas, factories or large warehouses where there is a requirement to project high intensity beams between the racks and equipment to illuminate walkways and assist safe evacuation in case of emergency.

- Competitively priced, tungsten halogen twin spot.
- Easy to install and maintain.
- Available in self-contained versions.
- Swivel and tilt mounting TH projectors.
- IP20 as standard.
- Supplied with TH projector lamp.
- 2 year warranty.

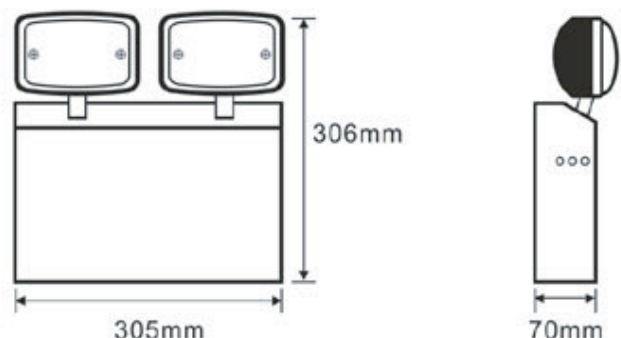
## Options

- 230V +/-10% 50/60Hz.
- Non-Maintained 3 hour duration .
- Colours - White RAL 9016.
- Class I.

## Specification

**Self-contained - to specify state the following**  
**IP20 Tungsten Halogen self-contained emergency twin spot projector suitable for wall mounting with swivel and tilt mounting Tungsten Halogen projectors. Complete with charge LED indicator and independent lamp continuity indicators as the ETS twin spot range.**

**Part Number** \_\_\_\_\_



## Catalogue Numbers

System Mode	Part Number	Weight (kg)
Non-Maintained 3 hour - white	ETS20/NM3	6.4



Ventilux Ltd, IDA Business Park, Southern Cross Road, Bray, County Wicklow A98 T276, Ireland  
 Telephone +353 (0)1 214 8800 - Fax +353 (0)1 280 5729 - E-mail sales@ventilux.ie - www.ventilux.ie

**VENTILUX**

Ventilux UK Ltd, Arbour Court, Arbour Lane, Knowsley Ind Est, Liverpool, L33 7XE, United Kingdom.  
 Tel +44 (0)151 546 4155 - Fax +44 (0)151 546 3987 - E-mail sales@ventilux.co.uk - www.ventilux.co.uk