

WP COLD ROOM

PREMIUM RANGE

Product Features

- 3 X 1 Watt CREE LEDs.
- Lamp colour - 6000K.
- 340 lumens in emergency.
- Competitively priced, high powered LED bulkhead.
- Suitable for cold room and refrigerator applications.
- Vandal resistant design.
- Easy to install and maintain.
- Fitted with integral battery heating pad.
- IP65 as standard.
- IK10 rated.
- Class I.



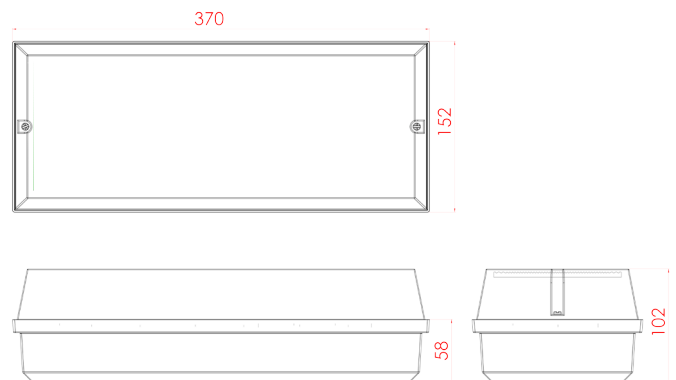
Materials

- Body - flame retardant polycarbonate plastic.
- Diffuser - flame retardant clear polycarbonate plastic.
- Gear Tray - powder coated sheet steel.
- Batteries (self-contained) - 4.8V 4.5A/h Ni-Cd.

Installation notes

- Suitable for wall mounting.
- Suitable for ceiling mounting.
- 20mm cable entry on side of unit.
- 20mm cable entry on rear of unit.
- Dimensions - See diagram.
- Weight: 1.4Kg.
- Suitable for temp range -20°C to +20°C (not suitable for ambient temperatures greater than 20°C)

*Equipment dimensions may vary with different systems.



Colours: White - RAL 9016

System Mode

Self contained. Maintained 3 hour

Part Number

WPM3/LED/3W/CR/6Y

Premium Range products carry 6 years warranty as standard.

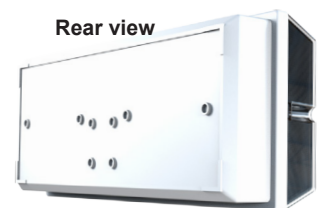
Alternative **Warranty** options

For Warranty Terms please visit the Ventilux website

3 Years /3Y

10 Years /10Y

Rear view



Also available



This specification sheet is a generic specification sheet. Specific specification sheets for Central Battery, Addressable Testing Systems etc are available from Ventilux upon request.