

DELTA DALI

PREMIUM RANGE

Product Features

- 3 watt CREE LED.
- Lamp colour - 4500K.
- Lamp power - 3.0 watt.
- 150 lumens in emergency.
- Competitively priced, discreet LED recessed down lighter.
- Easy to install and maintain.
- Class II.

Materials

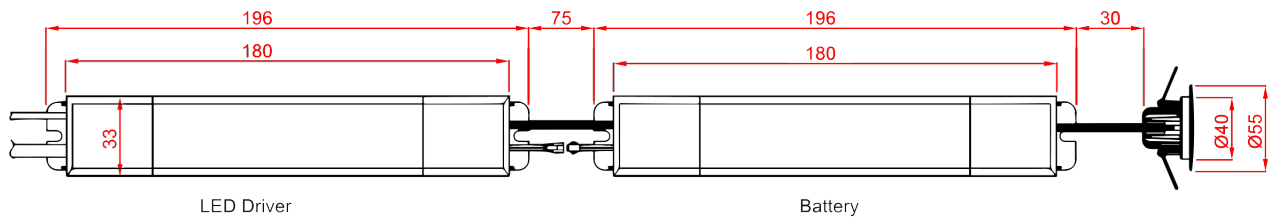
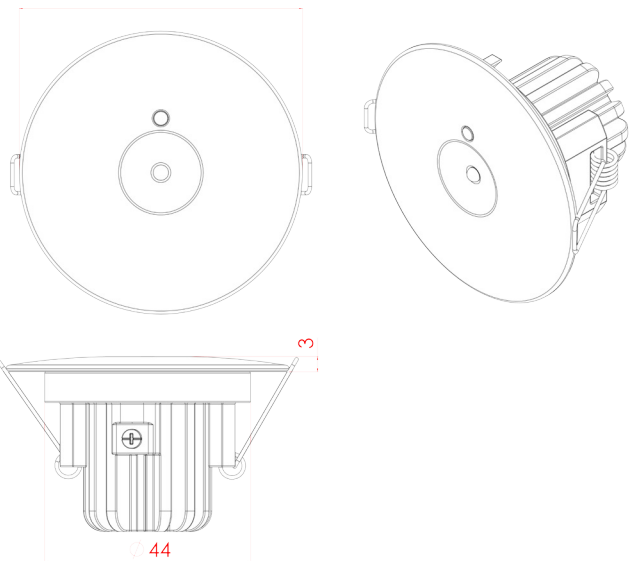
- Lamp head - aluminium heat sink and flame retardant polycarbonate plastic trim.
- Remote control gear - flame retardant polycarbonate plastic.
- Batteries (self-contained) - 3.6V 2.6A/h Ni-Mh.

Installation notes

- Suitable for ceiling mounting.
- 44mm or 1¾ inch ceiling cutout.
- 220mm ceiling void compatible.
- Shrouded plug/socket DALI/mains connection.
- Mains and DALI input connectors suitable for 0.5mm² to 1.5mm² cable.
- IP20 rating as standard.
- Dimensions - See diagrams.
- Weight: 0.5Kg.
- Temperature: 0°C - 45°C.



*Equipment dimensions may vary with different systems.



Colours:

White - RAL 9016

Black - RAL 9017 - add /BL to order

System Mode

Self Contained DALI

Part Number

DENM3/LED3W/DA

Premium Range products carry 6 years warranty as standard.

Alternative **Warranty** options

3 Years /3Y

For Warranty Terms please visit the Ventilux website

10 Years /10Y

