

HALO PLUS 3 WATT

PREMIUM RANGE

Product Features

- CREE XP-G3 LED.
- Lamp colour - 6000K.
- Lamp power - 3.0 Watt.
- 300 lumens in emergency.
- IP40 as standard.
- Class I.

Materials

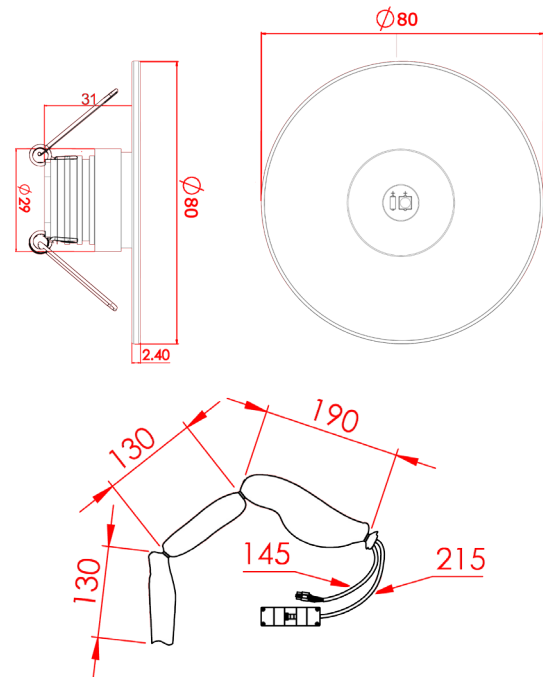
- Lamp head - spun aluminium.
- Remote bag - silicone coated fibre glass bag.
- Batteries (self-contained) - 4.8V 4.5A/h Ni-Cd D-cell.
- Ni-Mh available upon request.

Installation notes

- Suitable for recessed mounting.
- 65mm ceiling cut out.
- Minimum 100mm ceiling void.
- 3 way shrouded plug/socket mains connection.
- Dimensions - See diagram.
- Weight: 0.7Kg.
- Temperature: 0°C to 45°C.



*Equipment dimensions may vary with different systems.



Standard colour: White - RAL 9016

Other RAL colours available upon request

System Mode

Non-Maintained 3 hour

Part Number

HA+NM3/LED

Premium Range products carry 6 years warranty as standard.

Alternative **Warranty** option

10 Years Add /10Y to Part Number

For Warranty Terms please visit the Ventilux website

Also available



This specification sheet is a generic specification sheet. Specific specification sheets for Central Battery, Addressable Testing Systems etc are available from Ventilux upon request.