

Product Features

- 3 Watt High Power LED.
- Lamp colour - 6000K.
- Lamp power - 3.0 Watt.
- 180 lumens in emergency.
- IP40 as standard.
- Class I.

Materials

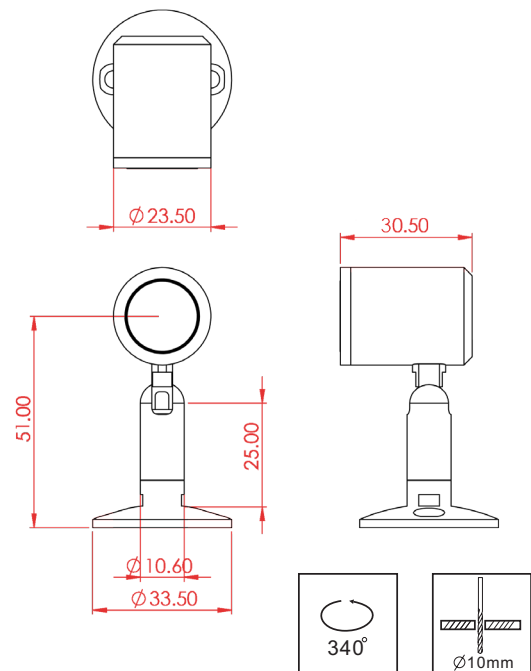
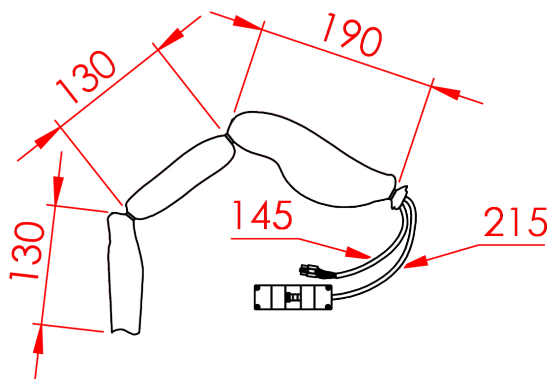
- Lamp head - spun aluminium.
- Remote bag - silicone coated fibre glass bag.
- Batteries (self-contained) - 4.8V 4.5A/h Ni-Cd D-cell.
- Ni-Mh available upon request.

Installation notes.




- Suitable for ceiling and wall mounting.
- 3 way shrouded plug/socket mains connection.
- Dimensions - See diagram.
- Weight: 0.9Kg.
- Temperature: 0°C - 45°C.



*Equipment dimensions may vary with different systems.



Colours:

-  Brushed Chrome - add /BCH to order code
-  White - RAL 9016 - add /WH to order code
-  Black - RAL 9017 - add BL to order code

System Mode

Self contained. Non-Maintained 3 hour

Part Number

ZILUNM3/LED3W/6Y

Premium Range products carry 6 years warranty as standard.

Alternative **Warranty** options

For Warranty Terms please visit the Ventilux website

- | | |
|----------|------|
| 3 Years | /3Y |
| 10 Years | /10Y |

Also available



This specification sheet is a generic specification sheet. Specific specification sheets for Central Battery, Addressable Testing Systems etc are available from Ventilux upon request.