

Product Features

- 3 x 1 Watt CREE LEDs.
- Lamp colour - 6000K.
- Lamp power - 3.0 Watt.
- 510 lumens in emergency.
- ESCAPE ROUTE and OPEN PLAN heads available.
- IP40 as standard.
- Class I.

Materials

- Lamp head - flame retardant polycarbonate plastic.
- Remote bag - silicone coated fibre glass bag.
- Batteries (self-contained) - 4.8V 4.5A/h Ni-Cd D-cell.
- Ni-Mh available upon request.

Installation notes

- Suitable for recessed mounting.
- 100mm ceiling cut out.
- Minimum 100mm ceiling void.
- 3 way shrouded plug/socket mains connection.
- Dimensions - See diagram.
- Weight: 1Kg.
- Temperature: 0°C to 45°C.

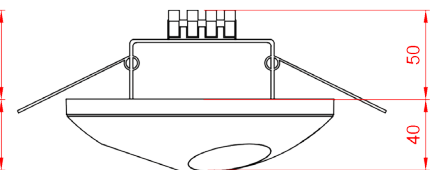
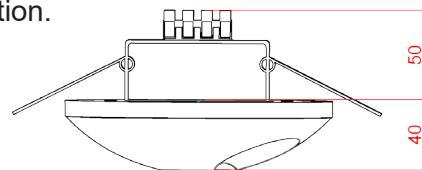
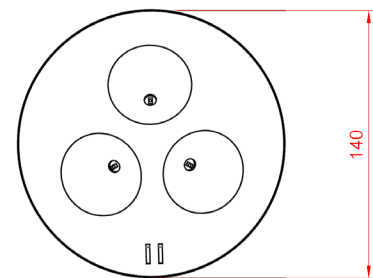
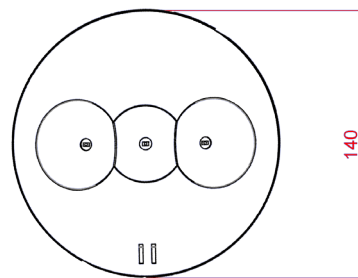
Escape Route (ES)



Open Plan (OP)

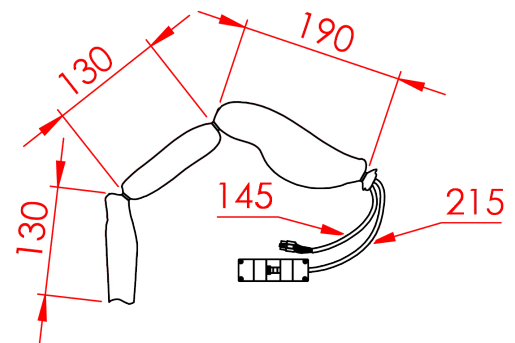


*Equipment dimensions may vary with different systems.



Escape route (ES)

Open plan (OP)



Standard colour:



White - RAL 9016

Alternative colour:



Black - RAL 9017 - add /BL to order code

Other RAL colours available upon request

System Mode

Self contained. Non-Maintained 3 hour

Part Number

OPNM3/LED/**

** add ES for ESCAPE ROUTE or OP for OPEN PLAN

Premium Range products carry 6 years warranty as standard.

Alternative Warranty option

10 Years

Add /10Y to Part Number

For Warranty Terms please visit the Ventilux website

Also available



This specification sheet is a generic specification sheet. Specific specification sheets for Central Battery, Addressable Testing Systems etc are available from Ventilux upon request.