

# OPTIC

## PREMIUM RANGE

### Product Features

- 3 x 1 Watt CREE LEDs.
- Lamp colour - 6000K.
- Lamp power - 3.0 Watt.
- 510 lumens in emergency.
- ESCAPE ROUTE and OPEN PLAN heads available.
- IP40 as standard.
- Class I.

### Materials

- Lamp head - flame retardant polycarbonate plastic.
- Remote bag - silicone coated fibre glass bag.
- Batteries (self-contained) - 4.8V 4.5A/h Ni-Cd D-cell.
- Ni-Mh available upon request.

### Installation notes

- Suitable for ceiling mounting.
- 100mm ceiling cut out.
- 220mm ceiling void compatible.
- 3 way shrouded plug/socket mains connection.
- Dimensions - See diagram.
- Weight: 1Kg.
- Temperature: 0°C to 45°C.

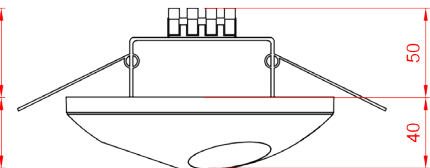
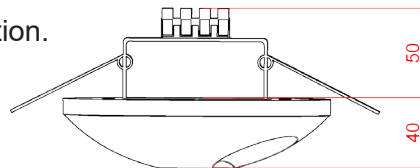
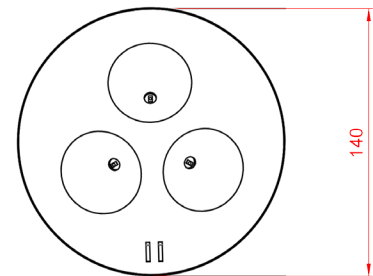
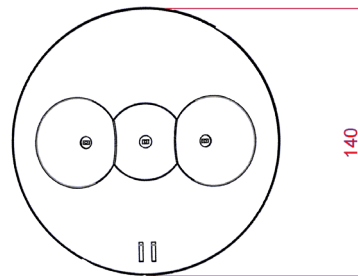
Escape Route (ES)



Open Plan (OP)



\*Equipment dimensions may vary with different systems.

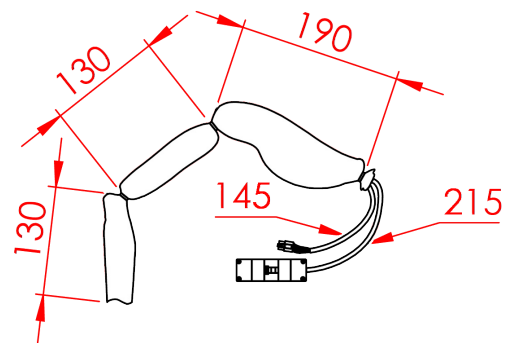


Escape route (ES)

Open plan (OP)

**Colours:**  White - RAL 9016

Black - RAL 9017 - add /BL to order code



### System Mode

Self contained. Non-Maintained 3 hour

### Part Number

OPNM3/LED/\*\*/6Y

\*\* add ES for ESCAPE ROUTE or OP for OPEN PLAN

**Premium Range products carry 6 years warranty as standard.**

Alternative **Warranty** options

3 Years

/3Y

For Warranty Terms please visit the Ventilux website

10 Years

/10Y

Also available



This specification sheet is a generic specification sheet. Specific specification sheets for Central Battery, Addressable Testing Systems etc are available from Ventilux upon request.