

RADIANCE

COMMERCIAL RANGE

Product Features

- 3 Watt LED.
- Lamp colour - 6500K.
- 193 lumens in emergency (Escape Route).
- 199 lumens in emergency (Open Plan).
- Competitively priced, surface mount downlight.
- Supplied with both asymmetrical and symmetrical lens.
- IP65 as standard.
- Class II.

Materials

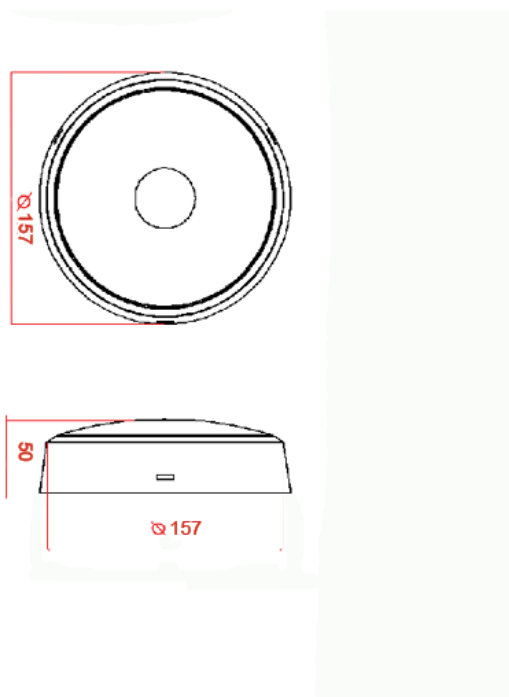
- Housing - Flame retardant polycarbonate plastic.
- Lens - Clear flame retardant polycarbonate plastic.
- Batteries (self-contained) - 3.6V 2.5A/h Ni-Cd.

Installation notes

- Suitable for ceiling mounting.
- 3 way screw in mains connection.
- Easy to install and maintain.
- Dimensions - See diagram.
- Weight: 561g.
- Temperature: 0°C - 45°C.



*Equipment dimensions may vary with different systems.



Standard colour:  White - RAL 9016

Alternative colour:  Black - RAL 9017

System Mode

Self contained. Non-Maintained 3 hour White

Self contained. Non-maintained 3 hour Black

Part Number

RADNM3/LED3W/WH

RADNM3/LED3W/BL

Commercial Range products carry 3 years warranty as standard.

Alternative **Warranty** option

6 Years

Add /6Y to Part Number

For Warranty Terms please visit the Ventilux website

TUV Certified



Type Approved
Safety
Regular Production
Surveillance

www.tuv.com
ID 1111233685