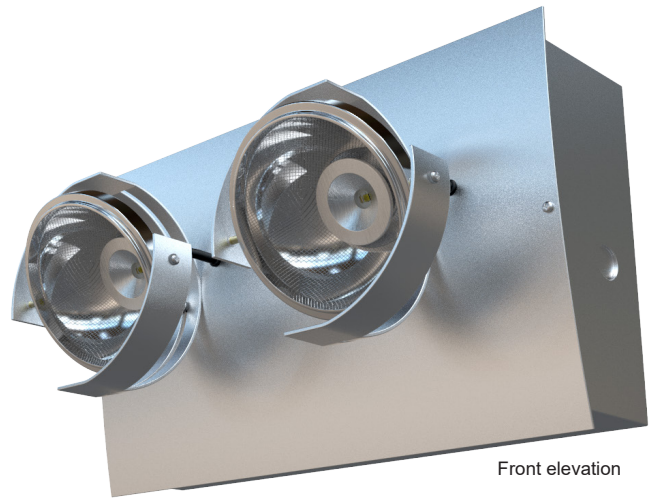


SCOUT LED

PREMIUM RANGE

Product Features

- 2 x 3 Watt luminaire to provide 2 x 300 lumens for 3 hour duration.
- CREE XP-G3 LED.
- Lamp colour - 6000K.
- LED indication of correct charger function.
- Competitively priced, IP40 LED twin spot.
- Easy to install and maintain.
- Swivel and rotate mounting of LED reflectors.
- IP40 as standard.
- Purpose designed for prestigious interiors to blend in and compliment the existing aesthetic.
- Class I.



Front elevation

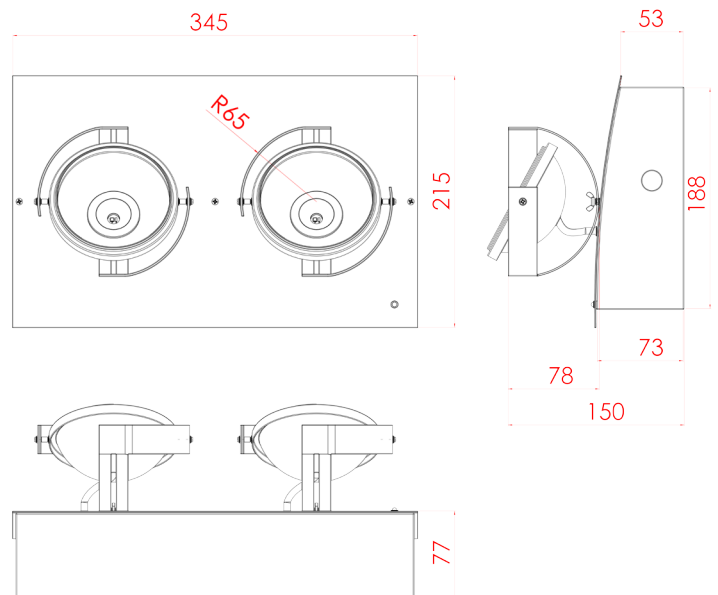
*Equipment dimensions may vary with different systems.

Materials

- Body - sheet steel.
- Batteries (self-contained) - 4.8V 4.5Ah Ni-Cd.
- Ni-Mh available upon request.

Installation notes

- Designed to be both ceiling & wall mounted.
- 20mm cable entry on side of unit.
- 20mm cable entry on rear of unit.
- Available in tungsten halogen on request.
- Slimline enclosure can be semi-recessed to the lid level.
- Dimensions - See diagram.
- Weight: 5Kg.
- Temperature: 0°C - 45°C.



Standard colour: Stainless Steel

Other RAL colours available upon request

System Mode **Part Number**

Self contained. Non-Maintained 3 hour SC6NM3/LED

Premium Range products carry 6 years warranty as standard.

Alternative **Warranty** option 10 Years Add /10Y to Part Number

For Warranty Terms please visit the Ventilux website

Also available



This specification sheet is a generic specification sheet. Specific specification sheets for Central Battery, Addressable Testing Systems etc are available from Ventilux upon request.