

Product Features

- 6 X 1.5 Watt LEDs.
- Lamp colour - 6000K.
- 1200 lumens in emergency.
- Competitively priced, high powered LED bulkhead, suitable for high risk applications.
- Vandal resistant design.
- Easy to install and maintain.
- IP65 as standard.
- IK10 rated.
- Class I.



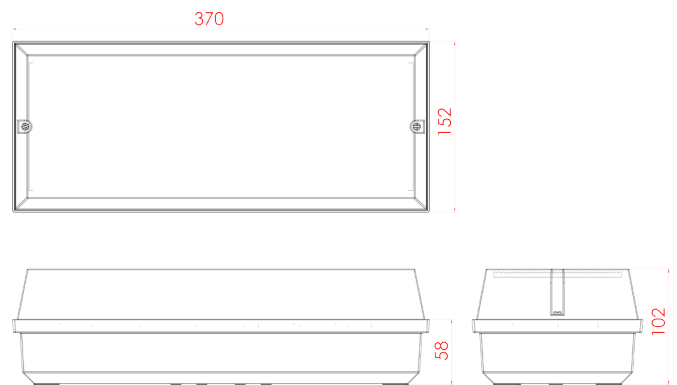
Materials

- Body - flame retardant polycarbonate plastic.
- Diffuser - flame retardant clear polycarbonate plastic.
- Gear Tray - powder coated sheet steel.
- Batteries (Self contained) - 9.6V 4.5A/h Ni-Cd.
- Ni-Mh available upon request.

Installation notes

- Suitable for wall mounting.
- Suitable for ceiling mounting.
- 20mm cable entry on side of unit.
- 20mm cable entry on rear of unit.
- Dimensions - See diagram.
- Weight: 2Kg.
- Temperature: 0°C - 45°C.

*Equipment dimensions may vary with different systems.



Standard colour: White - RAL 9016

Alternative colour: Black - RAL 9017 - add /BL to order code

Other RAL colours available upon request

System Mode **Part Number**

Self contained. Non-Maintained 3 hour SKNM3/LED9WP

Premium Range products carry 6 years warranty as standard.

Alternative **Warranty** option **10 Years** Add /10Y to Part Number

For Warranty Terms please visit the Ventilux website

Also available



This specification sheet is a generic specification sheet. Specific specification sheets for Central Battery, Addressable Testing Systems etc are available from Ventilux upon request.