

Product Features

- 6 high output white LEDs.
- Lamp colour - 6500K.
- Lamp power - 0.6W.
- 110 lumens in emergency.
- Competitively priced, LED bulkhead.
- Easy to install and maintain.
- Hinged gear tray.
- IP65 as standard.
- Class II.

Materials

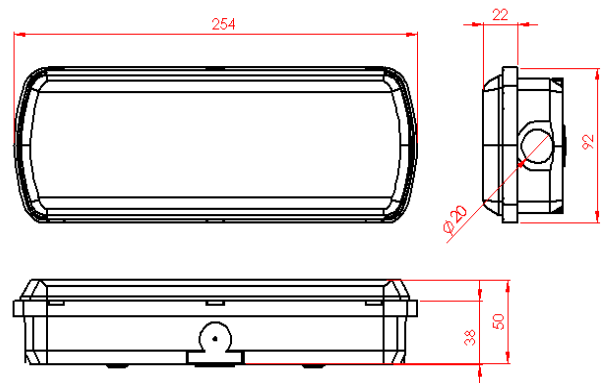
- Body - flame retardant ABS plastic.
- Diffuser - flame retardant clear ABS plastic.
- Gear Tray - flame retardant ABS plastic.
- Batteries (self-contained) - 3.2V 1500mA/h Li-FaPo4.

Installation notes

- Suitable for wall mounting.
- Suitable for ceiling mounting.
- 20mm cable entry on sides and ends of unit.
- 20mm cable entry on rear of unit.
- Dimensions - See diagram.
- Weight: 0.34Kg.
- Temperature range - 0°C to 45°C.



*Equipment dimensions may vary with different systems.



Colours:



White - RAL 9016

System Mode

Self contained. Non-maintained 3 hour

Part Number

VPNM3/LED

Commercial Range products carry 3 years warranty as standard.

For Warranty Terms please visit the Ventilux website

TUV Certified



Type Approved
Safety
Regular Production
Surveillance

www.tuv.com
ID 1111244965