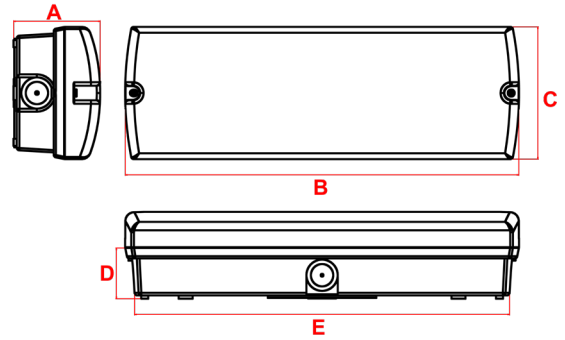
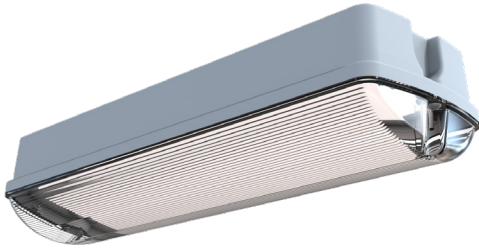


Visor

Surface Mounted Bulkhead DALI Wireless



220 Lumens	2 Watt	5000K	Wall and Ceiling Mounting
LiFePO4 Battery	Class II	IP 65	6Y Warranty

Materials

Housing: Polycarbonate
Standard Colour: White - RAL 9016

Warranty

Standard Warranty: 6 Years
Alternative Warranty: 10 Years
Add /10Y Years to Order Code

Order Code	VIM3/LED/DAW
Mode of operation	Maintained DALI Wireless
DALI Interface	For Controlled Monitoring and Reporting
Emergency duration	3 hours
Input voltage	230/240V (207VAC - 264VAC) 50/60Hz
Power consumption	6.8VA, $I_{nom} = 28mA$ (Full Battery)
Battery type	Rechargeable LiFePO4 Battery 3.2V 4.5Ah
Battery low voltage cut off	2.5V DC
Battery discharge current @ 3.2V DC	0.7A
Lamp	2W LED Strip
Lamp colour	5000K
Lamp lumen level in emergency	220 lm
Nominal lamp voltage	$V_{rated} = 3V$ DC
Nominal lamp current	$I_{rated} = 0.55A$ CC
Nominal lamp power	$P_{rated} = 2W$
Maximum output voltage with no lamp connected	U-OUT = 5V DC
Degree of protection	IP65
Impact Resistance	IK10
Cable entry	To be Drilled and Glanded on installation (Glands not included)
Luminaire class	Class II
Product Weight	0.93Kg
Packaging Weight	0.1Kg
Standards	EN61347-2-7, EN61347-2-13, EN 60598-2-22, EN 55015
Environment	0°C to 25°C up to 80% relative humidity.

System	Order Code	Mode of Operation	Battery	Battery P/N	Lumens (Emergency)	Dimensions (mm)				
						A	B	C	D	E
DALI Wireless	VIM3/LED/DAW	Maintained	3.2V, 4.5Ah LiFePO4	70260	220	74	350	110	45	335
Alternative Systems Available: Specification Sheets Available Upon Request										
Standalone	VIM3/LED	Maintained	3.6V, 1.5Ah Ni-Cd	70149	130	77	352	118	45	335
Central Battery	ZVIPROLED230S	Slave	-	-	188	77	352	118	45	335
DALI	VIPROM3/LED/DA	Maintained	3.6V, 4.5Ah Ni-Cd	70151	188	77	352	118	45	335
DALI Central Battery	ZVIPROLED230SDA	Slave	-	-	188	77	352	118	45	335