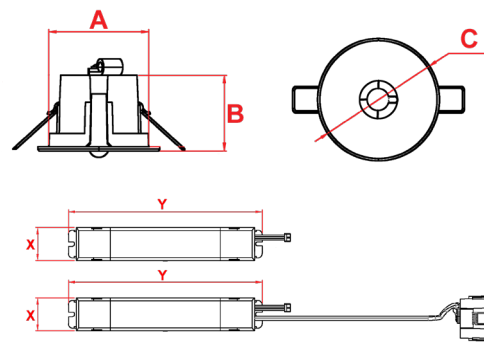


Delta Gen 2 Recessed Downlight

Open Plan



Escape Route



200 Lumens	2 Watts	5000K	Recessed Mounting
LiFePO4 Battery	Class II	IP 40	6Y Warranty

Order Code	DE2NM3/L2W/**
Mode of operation	Non-Maintained
Emergency duration	3 hours
Input voltage	230/240V (207VAC - 264VAC) 50/60Hz
Power consumption	2VA, I _{nom} = 8mA (Full Battery)
Battery type	Rechargeable LiFePO4 Battery 6.4V 1.5Ah
Battery low voltage cut off	5.4V DC
Battery discharge current @ 6.4V DC	0.32A
Lamp	2W
Lamp colour	5000K
Lamp lumen level in emergency	200 lm
Nominal lamp voltage	V _{rated} = 3V DC
Nominal lamp current	I _{rated} = 0.53A CC
Nominal lamp power	P _{rated} = 2W
Maximum output voltage with no lamp connected	U-OUT = 10VDC
Ingress Protection	IP40
Cable entry	Recessed Pack
Cutout Size	48mm
Ceiling Void	200mm
Luminaire class	Class II
Product Weight	0.50 Kg
Packaging Weight	0.05Kg
Standards	EN61347-2-7, EN61347-2-13, EN 60598-2-22, EN 55015
Environment	0°C to 45°C up to 80% relative humidity.

Materials

Lamp Head: Die-Cast Aluminium
 Lamp Trim: ABS
 Remote Pack: ABS

Standard Colour: White - RAL 9016
 Alternative Colour: Black - RAL 9017
 Add /BL to Order Code

Warranty

Standard Warranty: 6 Years
 Alternative Warranty: 10 Years
 Add /10Y to order code

System	Order Code	Mode of Operation	Battery	Battery P/N	Lumens (Emergency)	Dimensions (mm)				
						A	B	C	X	Y
Standalone	DENM3/L2W/**	Non-Maintained	6.4V, 1.5Ah LiFePO4	70267	200	45	34	55	35	196
Alternative Systems Available: Specification Sheets Available Upon Request										
DALI	DE2NM3/L2W/**/DA	Non-Maintained	3.2V, 3.6Ah LiFePO4	70268	180	45	34	55	35	196
DALI Wireless	DENM3/LED3W/DAW	Non-Maintained	6.4V, 3.2Ah LiFePO4	70259	400	45	34	55	40	215
Self-Test	DE2NM3/L2W/**/ST	Non-Maintained	3.2V, 3.6Ah LiFePO4	70268	180	45	34	55	35	196

** - Add OP for Open Plan/Symmetrical Fitting
 - Add ES for Escape Route/Asymmetrical Fitting