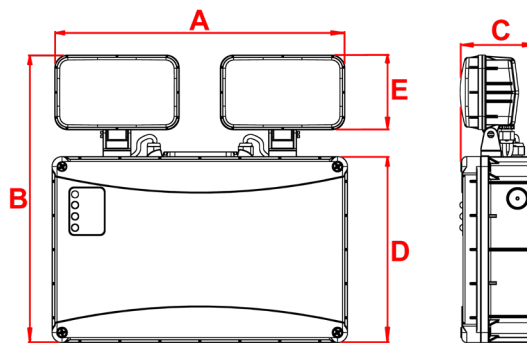


ETS

IP65 Twinspot



| | | | |
|---------------|---------------|-------|---------------|
| 2x221 Lumens | 2 x 2.5 Watts | 6500K | Wall Mounting |
| Ni-Cd Battery | Class II | IP 65 | 3Y Warranty |

| | |
|-----------------------------------------------|----------------------------------------------------|
| Order Code | ETSLED/NM3IP65 |
| Mode of operation | Non-Maintained |
| Emergency duration | 3 hours |
| Input voltage | 230/240V (207VAC - 264VAC) 50/60Hz |
| Power consumption | 4VA, I _{nom} = 17mA (Full Battery) |
| Battery type | Rechargeable NiCd 3.6V, 6Ah |
| Battery low voltage cut off | 3.2V DC |
| Battery discharge current @ 3.6V DC | 1.2A |
| Lamp | 2 X 2.5W LED |
| Lamp colour | 6500K |
| Lumen Level in Emergency | 2 X 221lm |
| Nominal lamp voltage | V _{rated} = 3.3V DC |
| Nominal lamp current @ 3.6V | I _{rated} = 0.6A CC |
| Nominal lamp power @ 3.6V | P _{rated} = 2W (Per Lamp) |
| Maximum output voltage with no lamp connected | U-OUT = 4.1V DC |
| Ingress protection | IP65 |
| Cable entry | 20mm on sides and Top of product |
| Luminaire class | Class II |
| Product Weight | 1.6 Kg |
| Packaging Weight | 0.14 Kg |
| Standards | EN61347-2-7, EN61347-2-13, EN 60598-2-22, EN 55015 |
| Environment | 0°C to 45°C up to 80% relative humidity |

Materials

Housing: Polycarbonate
 Standard Colour: White - RAL 9016

Warranty

Standard Warranty: 3 Years
 Alternative Warranty: 6 Years
 Add **16Y** Years to Order Code

| System | Order Code | Mode of Operation | Battery | Battery P/N | Lumens (Emergency) | Dimensions (mm) | | | | |
|------------|----------------|-------------------|-----------------|-------------|--------------------|-----------------|-----|----|-----|----|
| | | | | | | A | B | C | D | E |
| Standalone | ETSLED/NM3IP65 | Non-Maintained | 3.6V, 6Ah Ni-Cd | 70147 | 2 x 221 | 296 | 287 | 73 | 185 | 74 |